

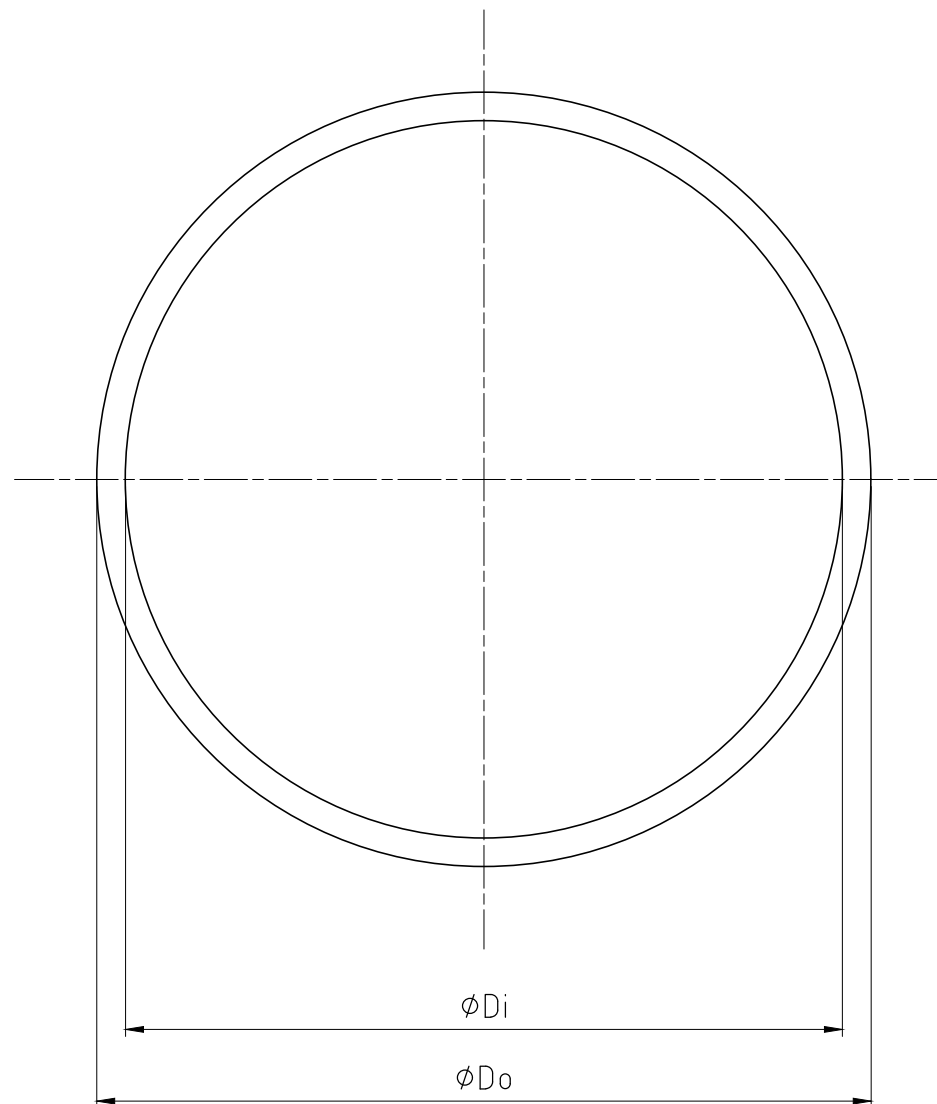
烙克赛克保留所有权利。未经授权严禁复制，  
使用以及向第三方泄露。

All rights reserved. Unauthorized reproduction, use  
or disclosure to third parties is strictly forbidden.

Rev 1.0


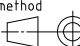
| TYPE     | Di (mm) | Do (mm) | L (mm) |
|----------|---------|---------|--------|
| SLRS-23  | 23,5    | 32      | 35     |
| SLRS-25  | 25,5    | 34      | 35     |
| SLRS-31  | 31,5    | 40      | 35     |
| SLRS-43  | 44      | 52      | 65     |
| SLRS-50  | 51      | 63      | 65     |
| SLRS-68  | 69,5    | 83      | 65     |
| SLRS-75  | 76,5    | 89      | 65     |
| SLRS-100 | 101     | 114     | 65     |
| SLRS-125 | 126     | 140     | 65     |
| SLRS-150 | 151     | 164     | 65     |
| SLRS-175 | 176     | 189     | 65     |
| SLRS-200 | 201     | 214     | 65     |
| SLRS-225 | 227     | 239     | 55     |
| SLRS-250 | 252     | 264     | 55     |
| SLRS-300 | 302     | 314     | 55     |
| SLRS-350 | 352     | 364     | 55     |
| SLRS-400 | 402     | 414     | 55     |
| SLRS-450 | 452     | 464     | 55     |
| SLRS-500 | 502     | 514     | 55     |
| SLRS-550 | 552     | 564     | 55     |
| SLRS-600 | 602     | 614     | 55     |
| SLRS-644 | 646     | 658     | 55     |

|         |      |     |    |
|---------|------|-----|----|
| SLR-50  | 51   | 63  | 55 |
| SLR-70  | 71,5 | 83  | 55 |
| SLR-75  | 76,5 | 89  | 55 |
| SLR-100 | 101  | 114 | 55 |
| SLR-125 | 126  | 140 | 55 |
| SLR-127 | 128  | 140 | 55 |
| SLR-150 | 151  | 164 | 55 |
| SLR-200 | 201  | 214 | 55 |



DPO = DIMENSION VIA PURCHASE ORDER

|     |                       |            |           |
|-----|-----------------------|------------|-----------|
| L   | SLR-50 ADDED IN TABLE | 2018-06-14 | se-jenboh |
| Rev | Type of revision      | Date       | Sign      |

| Item  | Qty   | Designation                              | Specification                            |                            |                                |                            |              | NetWeight   |                |
|---|---|--|--|----------------------------|--------------------------------|----------------------------|--------------|---|----------------|
| General tolerance<br>ISO 2768-1/2-m/K<br>EN ISO 13920-BF                              | Welded details<br>EN ISO 5817-B<br>EN ISO 10042-B | General surface<br>roughness, Ra<br>12,5 | Designed by<br>se-jenboh                 | Created Date<br>2004-11-02 | Latest save date<br>2018-06-14 | Format<br>A3               | Scale<br>1:2 | Sheet no  | TotWeight<br>- |
|  |   |  | Title<br>SLEEVE<br>SLR/RS Ø23 - Ø644     |                            |                                |                            |              | Projection<br>method<br> |                |
| www.roxtec.com  |   |  | Restricted due to<br>Information drawing |                            |                                | Drawing number<br>S1006967 |              | Rev<br>L  |                |